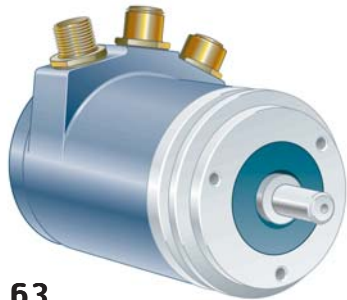
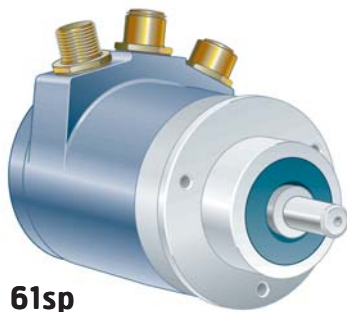


607/608 — Ruggedized Shaft encoder, Absolute

PROFINET



63



61sp

Short description:

- >> PROFINET output
- >> IP 67 at housing, IP 66 at shaft inlet
- >> Support encoder profile 3.162
- >> Robust enclosure for harsh environments
- >> Shock and vibration protected
- >> Stainless steel options available on request

Suitable applications:

- >> Automation industry
- >> Packaging machines
- >> Cranes
- >> Elevators

General information

Encoder data		
Operating temperature	-40°C .. +70°C	
Storage temperature	-30°C .. +70°C	
Ingress protection class	IP-67 according to IEC 60529	
At shaft inlet	IP-66 according to IEC 60529	
Vibration (55 to 2000Hz)	< 100 m/s ² according to IEC 60068-2-6	
Shock (6ms)	< 1000 m/s ² according to IEC 60068-2-27	
Cover material	Aluminium	
Weight	Approx. 400g	
Accuracy and resolution		
Encoder type	RSA 607	RSA 608
Total Resolution	13 Bit	25 Bit
Singleturn resolution	13 Bit	13 Bit (8192 absolute positions per revolution)
Multiturn resolution		12 Bit (4096 absolute number of revolutions)
Accuracy	± 1 LSB	

Flange option

Flange type	63, Synchro	61sp, Clamping
Outer diameter	ø58 mm	ø58 mm
Mounting holes	3 x M4	3 x M4
Flange material	Aluminium	Aluminium

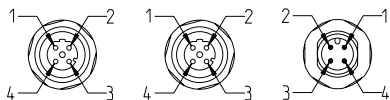
Shaft option

Shaft type	Ø 6 round	Ø 10 round
Axial shaft load	50 N	50 N
Radial shaft load	60 N	60 N
Mech. permissible speed	6000 rpm	6000 rpm
Shaft material	Stainless steel	Stainless steel
Moment of inertia	1,9 x 10 ⁻⁶ kgm ²	2,0 x 10 ⁻⁶ kgm ²



607/608 — Ruggedized Shaft encoder, Absolute

PROFINET



Connection option

Connector type	4 pin M12 Female D-Coded	4 pin M12 Female D-coded	4 pin M12 Male A-coded
Function	PIN	PIN	PIN
	Port 1	Port 2	Supply
Tx +	1	1	NA
Rx+	2	2	NA
Tx -	3	3	NA
Rx -	4	4	NA
+E Volt	NA	NA	1
0 Volt	NA	NA	3
Cover	Cable shield		
Connecting direction			
Radial	Yes		

NA=Not available

Electrical option

Power supply	10-30Vdc
Polarity protected	Yes
Output interface	PROFINET
Interface	Ethernet
Supported profile	Encoder Profile PNO No. 3.162 V4
Baud rate	100Mbit/s
IP adress	Assigned dynamically via DCP
Code type	Binary
Supported functions	Class 4 according to encoder profile Preset, Scaling, Code sequence Isosynchronous mode, I&M functions
Current consumption	100mA @ 24Vdc
Max current consumpt.	150mA @ 24Vdc

Accessories

Configuration software	
PROFINET	Part number
GSDML file downloadable at www.leinelinde.com	673801-01
Cables and connectors	
PROFINET connection	
Cable M12 4p M-M 5m, D-coded Straight	584404-01
Connector M12 4p M, D-coded Straight	586243-01
Adapter M12 D-coded 4p to RJ45, angled	586271-01
Supply connection	
Cable M12 4p F-O 5m, A-coded Straight	586238-01
Connector M12 4p F, A-coded Straight	586299-02

Abbreviations: F = Female, M = Male, O = Open

For additional accessories like mounting clamps, measuring wheels, draw wire box etc. please advise separate datasheets for accessories.

Ordering information

RSA 607	
680245-01	RSA 607 61sp ø10 10-30Vdc SEPN M12 Radial 13bit
680239-01	RSA 607 63 ø6 10-30Vdc SEPN M12 Radial 13bit
RSA 608	
661469-01	RSA 608 61sp ø10 10-30Vdc SEPN M12 Radial 25bit
661380-01	RSA 608 63 ø6 10-30Vdc SEPN M12 Radial 25bit



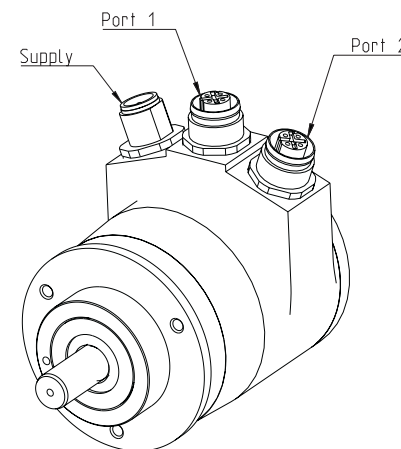
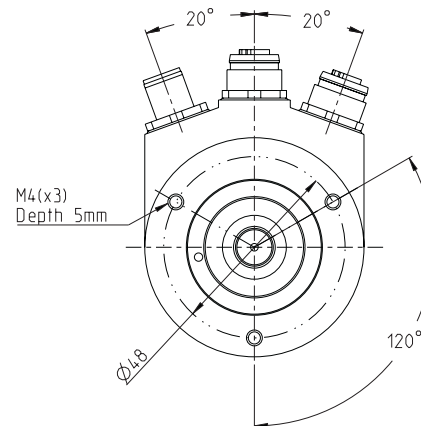
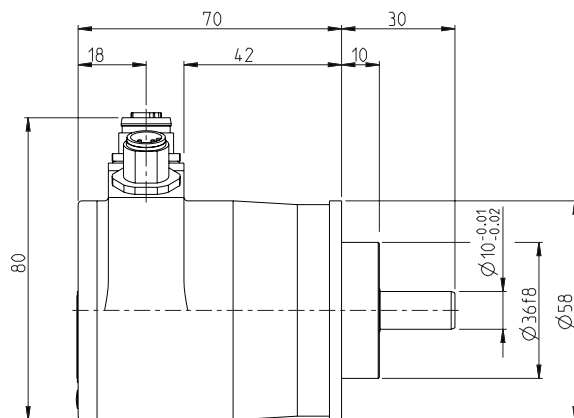
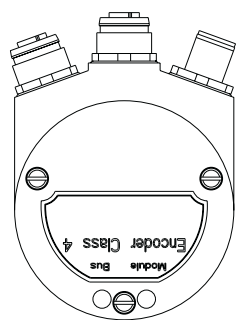
607/608 Ruggedized Shaft encoder, Absolute

PROFINET

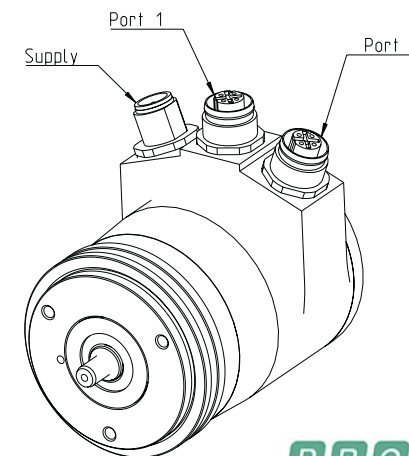
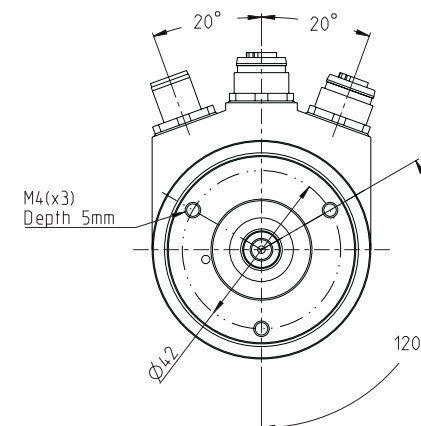
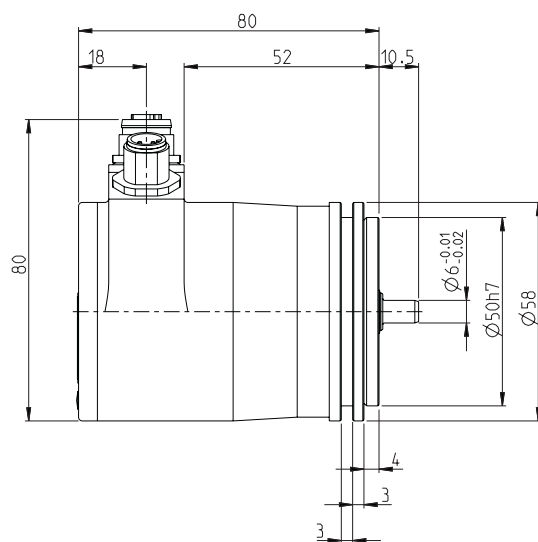
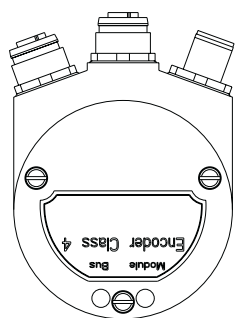


Dimensions

RSA 607/608 61 $\varnothing 10$ M12 radial



RSA 607/608 63 $\varnothing 6$ M12 radial



607/608 — Ruggedized Shaft encoder, Absolute

PROFINET



LEINE LINDE ISO 9001/ISO 14001 certified

Olivehällsvägen 8, SE-64542 Strängnäs, Sweden. Phone: +46 (0)152 26500. Fax: +46 (0)152 26505. E-mail: info@leinelinde.se

www.leinelinde.com