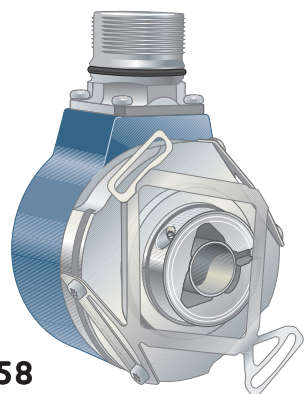
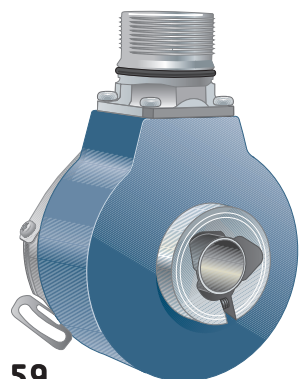


607/608 — Ruggedized Hollow shaft encoder, Absolute

SSI, EnDat



58



59

Short description:

- >> 13 or 25 bit resolution
- >> IP 67 at housing, IP 64 at shaft inlet
- >> Robust enclosure for harsh environments
- >> Shock and vibration protected

Suitable applications:

- >> Standard to demanding industrial applications
- >> Positioning applications
- >> Printing machines
- >> Packaging machines

General information

Encoder data		
Operating temperature	-40°C .. +85°C (+100°C for EnDat)	
Storage temperature	-30°C .. +85°C	
Ingress protection class	IP-67 according to IEC 60529	
At shaft inlet	IP-64 according to IEC 60529	
Vibration (55 to 2000Hz)	< 150 m/s ² according to IEC 60068-2-6	
Shock (6ms)	< 1000 m/s ² according to IEC 60068-2-27	
Cover material	Aluminium	
Weight	Approx. 300g	
Accuracy and resolution		
Encoder type	RHA 607	RHA 608
Total Resolution	13 Bit	25 Bit
Singleturn resolution	13 Bit	13 Bit (8192 absolute positions per revolution)
Multiturn resolution		12 Bit (4096 absolute number of revolutions)
Accuracy	± 1 LSB	

Flange option

Flange type	58, HS	59, THS
Type	Standard	
Outer diameter	ø58 mm	
Flange material	Aluminium	
Torque support	Stator coupling or torque arm	

Shaft option

Shaft type	Ø 12, HS	Ø 12, THS
Axial shaft load	10 N	
Radial shaft load	20 N	
Mech. permissible speed	6000 rpm	12000 rpm
Shaft material	Stainless steel	
Moment of inertia	4,3 x 10 ⁻⁶ kgm ²	



Connection option

Encoder type	EnDat (cable)	EnDat (17pEML)	SSI (cable)	SSI (17pEML)
Function	Colour	Marking	Colour	Marking
+E Volt	Brown/Green	7	Brown/Green	7
Sensor +E Volt	Blue	1	Blue	1
0 volt	White/Green	10	White/Green	10
Sensor 0 volt	White	4	White	4
Clock	Violett	8	Violett	8
Clock inverted	Yellow	9	Yellow	9
Data	Grey	14	Grey	14
Data inverted	Pink	17	Pink	17
Code sequence	NA	NA	Black	2
Zero set	NA	NA	Green	5
Connecting direction				
Radial	Yes	Yes	Yes	Yes

NA=Not available

Electrical option

Output interface	EnDat	SSI
Power supply	5V ±5%	10-30 V
Polarity Protected	No	Yes
Data output	RS-485	
Clock input	RS-485	
Frequency range	Max 2 MHz	100kHz -1MHz
Cable length	Max 100m (10m @ 2MHz)	Max 100m
Code type	Binary	Gray
Current consumption	Max 160mA (RHA 607), 200mA (RHA 608)	

Accessories

Gateway (EnDat encoders)	Part number
Profibus DP	01300210, -215
DeviceNet	01300240, -245
CANopen	01300230, -235
Cables and connectors	
Mating connector (17pEML)	01209085
Mating connector with assembled cable 2m	01210202
Mating connector with assembled cable, free length	01209092
Torque support M6	609451-01
Torque arm M6	01208014 ⁽¹⁾

⁽¹⁾ Length 70-1000mm available, specify when ordering

For additional accessories like assembled cables and torque arms, please advise separate datasheets for accessories.

Ordering information

EnDat	
576663-01	RHA 607 58 ø12hs 5Vdc SENB 17 pin EML Radial 13bit
620880-01	RHA 607 58 ø12hs 5Vdc SENB Cable 5m Radial 13bit ⁽¹⁾
620892-01	RHA 607 59 ø12ths 5Vdc SENB 17 pin EML Radial 13bit
620894-01	RHA 607 59 ø12ths 5Vdc SENB Cable 5m Radial 13bit ⁽¹⁾
576331-01	RHA 608 58 ø12hs 5Vdc SENB 17 pin EML Radial 25bit
620895-01	RHA 608 58 ø12hs 5Vdc SENB Cable 5m Radial 25bit ⁽¹⁾
620897-01	RHA 608 59 ø12ths 5Vdc SENB 17 pin EML Radial 25bit
620899-01	RHA 608 59 ø12ths 5Vdc SENB Cable 5m Radial 25bit ⁽¹⁾
SSI	
576666-01	RHA 607 58 ø12hs 9-36Vdc SSG 17 pin EML Radial 13bit
620900-01	RHA 607 58 ø12hs 9-36Vdc SSG Cable 5m Radial 13bit ⁽¹⁾
620901-01	RHA 607 59 ø12ths 9-36Vdc SSG 17 pin EML Radial 13bit
620902-01	RHA 607 59 ø12ths 9-36Vdc SSG Cable 5m Radial 13bit ⁽¹⁾
576463-01	RHA 608 58 ø12hs 9-36Vdc SSG 17 pin EML Radial 25bit
620903-01	RHA 608 58 ø12hs 9-36Vdc SSG Cable 5m Radial 25bit ⁽¹⁾
620905-01	RHA 608 59 ø12ths 9-36Vdc SSG 17 pin EML Radial 25bit
620908-01	RHA 608 59 ø12ths 9-36Vdc SSG Cable 5m Radial 25bit ⁽¹⁾

⁽¹⁾ Variants with cable outlet are available upon request

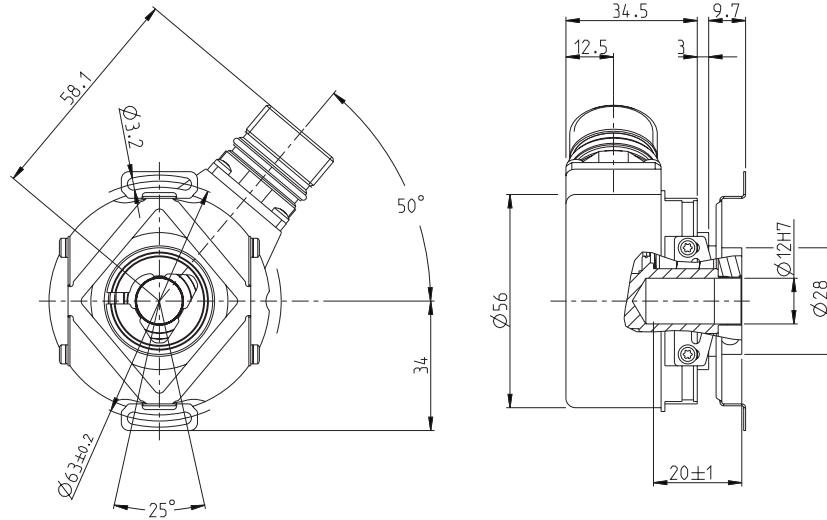
607/608 — Ruggedized Hollow shaft encoder, Absolute

SSI, EnDat

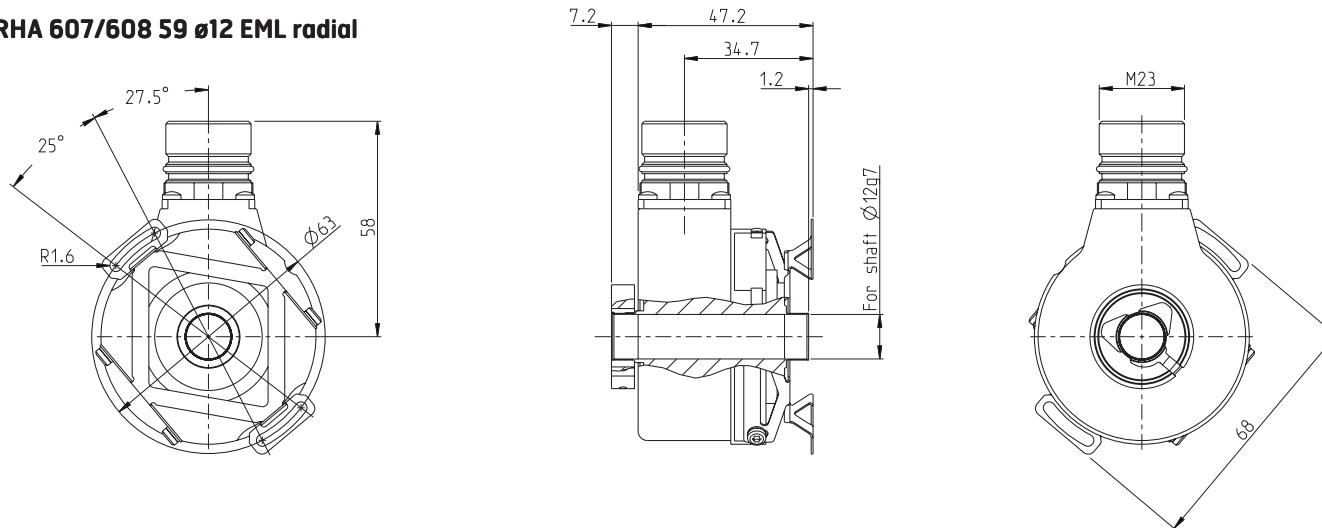


Dimensions

RHA 607/608 58 ø12 EML radial



RHA 607/608 59 ø12 EML radial



607/608 — Ruggedized Hollow shaft encoder, Absolute

SSI, EnDat

