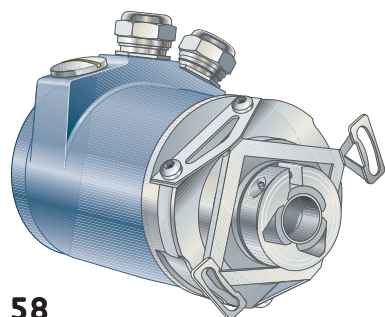
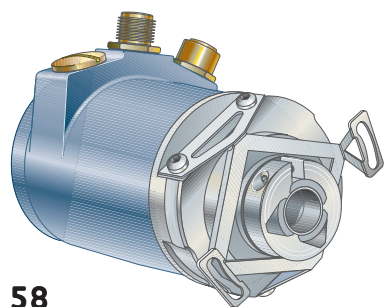


607/608 — Ruggedized Hollow shaft encoder, Absolute

DeviceNet



58



58

Short description:

- >> DeviceNet profile rev.2
- >> IP 67 at housing, IP 64 at shaft inlet
- >> Robust enclosure for harsh environments
- >> Shock and vibration protected

Suitable applications:

- >> Automation industry
- >> Packaging machines
- >> Cranes
- >> Elevators

General information

Encoder data		
Operating temperature	-40°C .. +70°C	
Storage temperature	-30°C .. +70°C	
Ingress protection class	IP-67 according to IEC 60529	
At shaft inlet	IP-64 according to IEC 60529	
Vibration (55 to 2000Hz)	< 100 m/s ² according to IEC 60068-2-6	
Shock (6ms)	< 1000 m/s ² according to IEC 60068-2-27	
Cover material	Aluminium	
Weight	Approx. 400g	
Accuracy and resolution		
Encoder type	RHA 607	RHA 608
Total Resolution	13 Bit	25 Bit
Singleturn resolution	13 Bit	13 Bit (8192 absolute positions per revolution)
Multiturn resolution		12 Bit (4096 absolute number of revolutions)
Accuracy	± 1 LSB	

Flange option

Flange type	58, HS
Type	Standard
Outer diameter	ø58 mm
Flange material	Aluminium
Torque support	Stator coupling

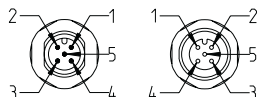
Shaft option

Shaft type	Ø 12
Axial shaft load	10 N
Radial shaft load	20 N
Mech. permissible speed	6000 rpm
Shaft material	Stainless steel
Moment of inertia	4,3 x 10 ⁻⁶ kgm ²



607/608 Ruggedized Hollow shaft encoder, Absolute

DeviceNet



Connection option

Connector type	Terminal Cable gland	5 pin M12 A-coded Male	5 pin M12 A-coded Female
Function	Marking	PIN	PIN
CAN Shield	NC	1	1
CAN_H	H	4	4
CAN_L	L	5	5
+E Volt	+	2	2
0 Volt	-	3	3
Connecting direction			
Radial	Yes		Yes

NC=Not connected

Electrical option

Power supply	9-36Vdc
Polarity protected	Yes
Output interface	DeviceNet
Supported profile	Encoder profile revision 2
Baud rate	Autobaud
Node address	Settable via DIP switches, 0...63
Zero-set function	Pushbutton or DeviceNet attribute
Code type	Binary
Supported functions	Code sequence, Preset, Velocity and Scaling
Current consumption	90 mA @ 24Vdc
Max current consumpt.	150 mA @ 24Vdc

Accessories

Configuration software	
DeviceNet	Part number
EDS file	647830-01
Cables and connectors	
DeviceNet connection	
Cable M12 5p M-F 5m, A-coded Straight	584409-01
Cable M12 5p M-O 5m, A-coded Straight	584412-01
Cable M12 5p F-O 5m, A-coded Straight	584417-01
Connector M12 5p M, A-coded Straight	586293-01
Connector M12 5p F, A-coded Straight	586299-01
Terminating resistor M12 5p M, A-coded Straight	586276-01

For additional accessories like torque support, torque arm etc. please advise separate datasheets for accessories.

Ordering information

RHA 607	
642789-01	RHA 607 58 ø12hs 9-36Vdc SCD Cable Radial 13bit
642804-01	RHA 607 58 ø12hs 9-36Vdc SCD M12 Radial 13bit
RHA 608	
642797-01	RHA 608 58 ø12hs 9-36Vdc SCD Cable Radial 25bit
684803-01	RHA 608 58 ø12hs 9-36Vdc SCD M12 Radial 25bit



607/608

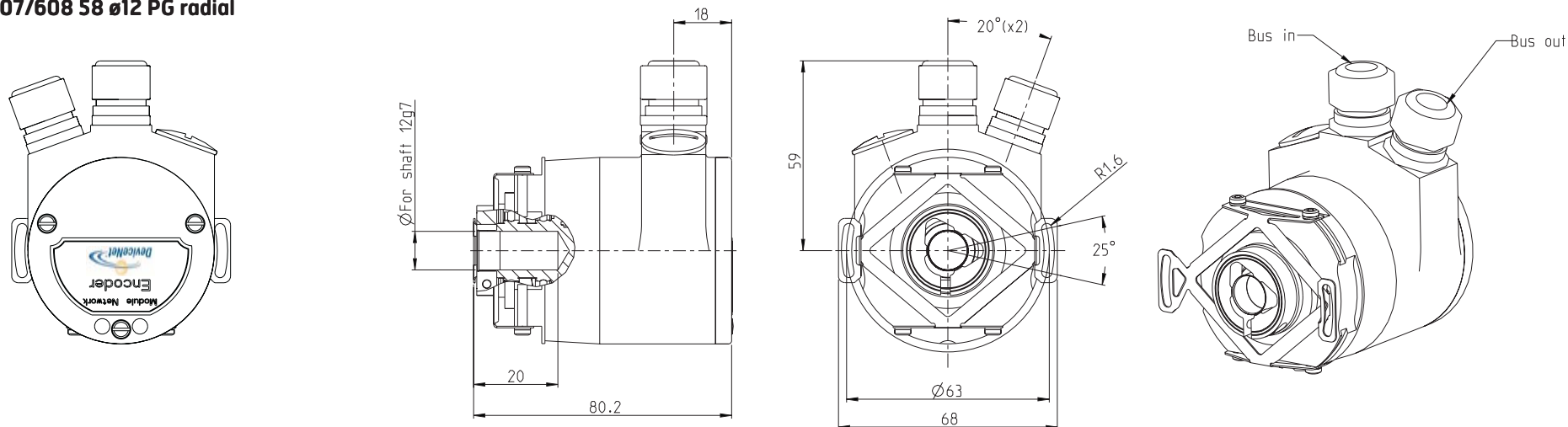
Ruggedized Hollow shaft encoder, Absolute

DeviceNet

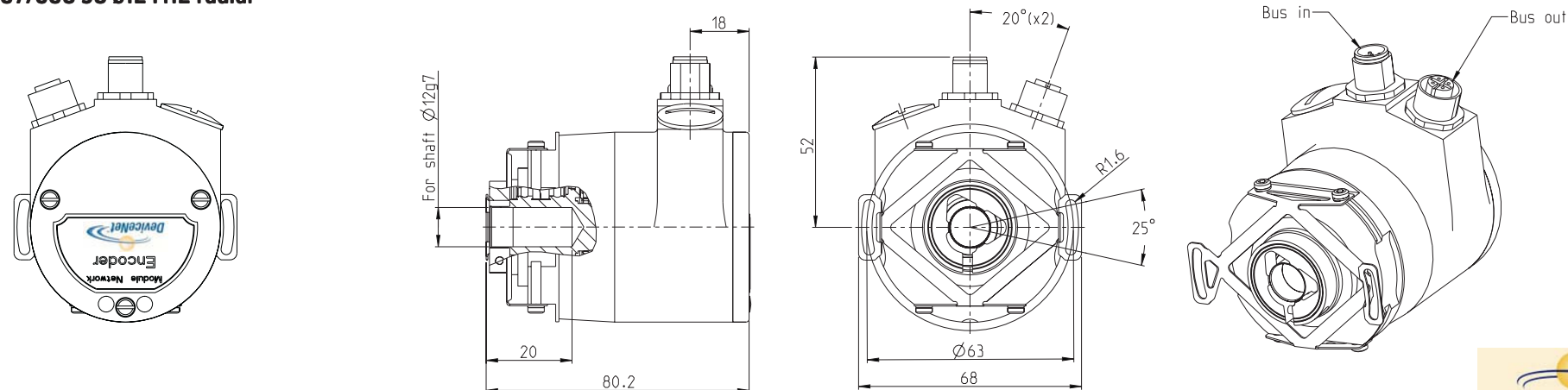


Dimensions

RHA 607/608 58 ø12 PG radial



RHA 607/608 58 ø12 M12 radial



607/608 — Ruggedized Hollow shaft encoder, Absolute

DeviceNet



LEINE LINDE ISO 9001/ISO 14001 certified

Olivehällsvägen 8, SE-64542 Strängnäs, Sweden. Phone: +46 (0)152 26500. Fax: +46 (0)152 26505. E-mail: info@leinelinde.se



www.leinelinde.com