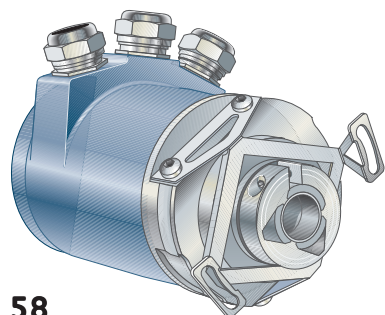
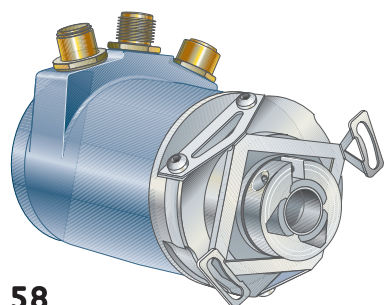


607/608 — Ruggedized Hollow shaft encoder, Absolute

PROFIBUS



58



58

Short description:

- >> Profibus output
 - DPV0
 - DPV2
- >> IP 67 at housing, IP 64 at shaft inlet
- >> Support encoder profile 3.062 and 3.162
- >> Robust enclosure for harsh environments
- >> Shock and vibration protected

Suitable applications:

- >> Automation industry
- >> Packaging machines
- >> Cranes
- >> Elevators

General information

| Encoder data | | |
|--------------------------|---|---|
| Operating temperature | -40°C .. +70°C | |
| Storage temperature | -30°C .. +70°C | |
| Ingress protection class | IP-67 according to IEC 60529 | |
| At shaft inlet | IP-66 according to IEC 60529 | |
| Vibration (55 to 2000Hz) | < 100 m/s ² according to IEC 60068-2-6 | |
| Shock (6ms) | < 1000 m/s ² according to IEC 60068-2-27 | |
| Cover material | Aluminium | |
| Weight | Approx. 400g | |
| Accuracy and resolution | | |
| Encoder type | RHA 607 | RHA 608 |
| Total Resolution | 13 Bit | 25 Bit |
| Singleturn resolution | 13 Bit | 13 Bit (8192 absolute positions per revolution) |
| Multiturn resolution | | 12 Bit (4096 absolute number of revolutions) |
| Accuracy | ± 1 LSB | |

Flange option

| Flange type | 58, HS |
|-----------------|-----------------|
| Type | Standard |
| Outer diameter | ø58 mm |
| Flange material | Aluminium |
| Torque support | Stator coupling |

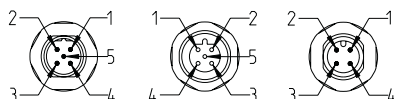
Shaft option

| Shaft type | Ø 12 |
|-------------------------|---|
| Axial shaft load | 10 N |
| Radial shaft load | 20 N |
| Mech. permissible speed | 6000 rpm |
| Shaft material | Stainless steel |
| Moment of inertia | 4,3 x 10 ⁻⁶ kgm ² |



607/608 Ruggedized Hollow shaft encoder, Absolute

PROFIBUS



Connection option

| Connector type | Terminals Cable gland | 5 pin M12 Male B-Coded | 5 pin M12 Female B-coded | 4 pin M12 Male A-coded |
|----------------------------|-----------------------------|------------------------------|--------------------------------|------------------------------|
| Function | Marking | PIN | PIN | PIN |
| A ⁽¹⁾ (Bus in) | A | 2 | NA | NA |
| B ⁽²⁾ (Bus in) | B | 4 | NA | NA |
| A ⁽¹⁾ (Bus out) | A | NA | 2 | NA |
| B ⁽²⁾ (Bus out) | B | NA | 4 | NA |
| +E Volt | + | NA | NA | 1 |
| 0 Volt | - | NA | NA | 3 |
| Connecting direction | | | | |
| Radial | Yes | Yes | | |

(1) A terminals are internally connected to each other

(2) B terminals are internally connected to each other

NA=Not available

Electrical option

| | |
|-------------------------|---|
| Power supply | 9-36Vdc |
| Polarity protected | Yes |
| Output interface | Profibus DP |
| Interface | RS-485 |
| Supported profile | Profile 3.062 (DPV0) and 3.162 (DPV2) |
| Baud rate | Max. 12Mbit/s |
| Node address | Settable via switches, 0...99 |
| Code type | Binary |
| Supported functions | Class 2 for DPV0 Class 4 for DPV2 Preset, Scaling, Code sequence Isosynchronous mode (DPV2 only) Velocity (DPV0 and DPV2) |
| Current consumption | 95mA @ 24Vdc |
| Max current | 150mA @ 24Vdc |

Accessories

| Configuration software | |
|---|-------------|
| Profibus | Part number |
| GSD file for DPV0 | 588934-01 |
| GSD file for DPV2 | 588958-01 |
| Cables and connectors | |
| Profibus connection | |
| Cable M12 5p M-F 5m, B-coded Straight | 584387-01 |
| Cable M12 5p M-O 5m, B-coded Straight | 584398-01 |
| Cable M12 5p F-O 5m, B-coded Straight | 584401-01 |
| Connector M12 5p M, B-coded Straight | 586281-01 |
| Connector M12 5p F, B-coded Straight | 586287-01 |
| Terminating resistor M12 5p M, B-coded Straight | 584217-01 |
| Supply connection | |
| Cable M12 4p F-O 5m, A-coded Straight | 586238-01 |
| Connector M12 4p F, A-coded Straight | 586299-02 |

For additional accessories like torque support, torque arm etc. please advise separate datasheets for accessories.

Ordering information

| RHA 607 | |
|-----------|---|
| 549853-01 | RHA 607 58 ø12hs 9-36Vdc SPB Cable Radial 13bit |
| 549855-01 | RHA 607 58 ø12hs 9-36Vdc SPB M12 Radial 13bit |
| RHA 608 | |
| 549856-01 | RHA 608 58 ø12hs 9-36Vdc SPB Cable Radial 25bit |
| 549857-01 | RHA 608 58 ø12hs 9-36Vdc SPB M12 Radial 25bit |



607/608 — Ruggedized Hollow shaft encoder, Absolute

PROFIBUS



LEINE LINDE

ISO 9001/ISO 14001 certified

Olivehällsvägen 8, SE-64542 Strängnäs, Sweden. Phone: +46 (0)152 26500. Fax: +46 (0)152 26505. E-mail: info@leinelinde.se

www.leinelinde.com