

Speed monitor



Speed monitor for control of overspeed, underspeed, standstill and direction of rotation

- 3 relays (dry changeover) and an analogue output
- Input frequency range 0.1 Hz - 1 MHz
- Compact housing for DIN rail mounting
- For incremental encoders with TTL, HTL or RS422 interface
- Four keys and a LCD display for facilitate commissioning and operation



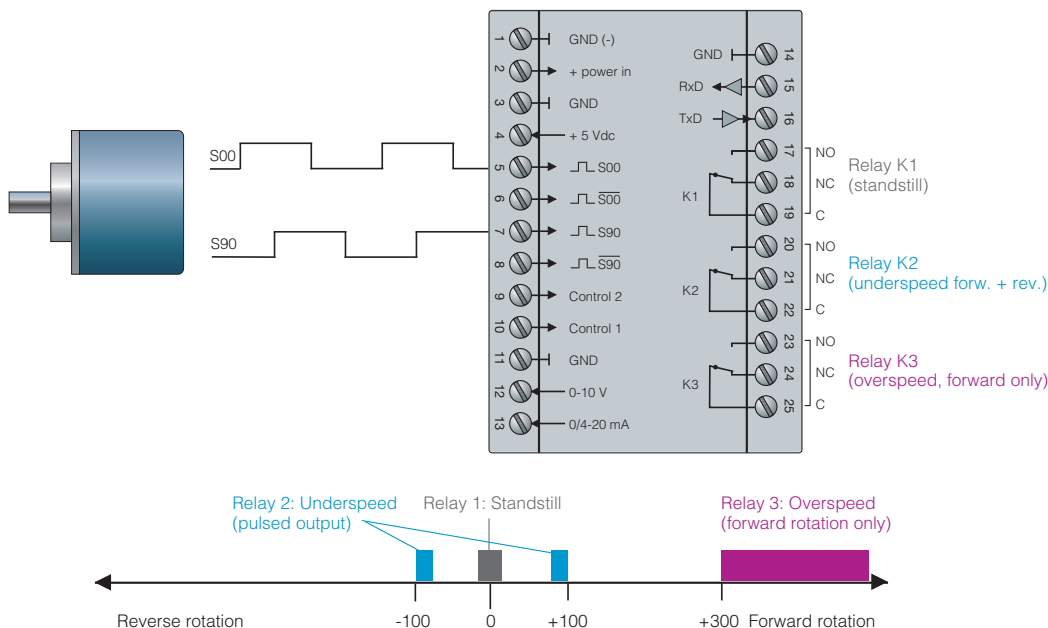
Electrical specification

Power supply	17-30 Vdc
Current consumption	70 mA @ 24 Vdc
Input signal type	Incremental encoder signals
Electrical interfaces	HTL, TTL and RS422
Frequency range	0.1 Hz .. 1.0 MHz
Input levels	TTL: U_{high} 3 .. 5.5 Vdc, U_{low} 0 .. 0.5 Vdc HTL: U_{high} 10 .. 30 Vdc, U_{low} 0 .. 4 Vdc
Encoder power supply	17 .. 30 Vdc, Aux. 5 Vdc
Output signal type, electrical interfaces	Analogue: ± 10 V (ext. load > 5 k Ω), 0 .. 20 mA (load < 270 Ω), 4 .. 20 mA (load < 270 Ω) Relays: 30 V / 4A DC, 125 V / 0.6A AC, 230 V / 0.3A AC
Resolution of analogue outputs	14 bit (accuracy 0.1%)

Encoder specification

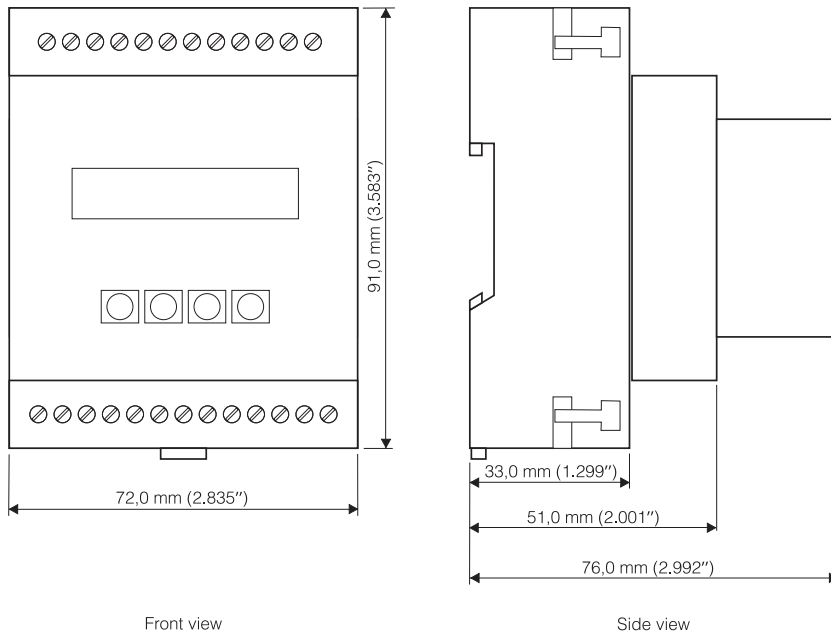
Encoder type	Incremental
Electrical interface	HTL, TTL or RS422
Number of channels	2, 90°el phase shifted

Principal operation



Speed monitor

Dimensions



Ordering information

Available model	Incremental Speed monitor DZ260
Part number	00208070