



### Signal converter for frequency to analogue and serial output

- Tachometer functionality  $\pm 10$  Vdc, 0–20 mA or 4–20 mA analogue output or optional RS232/RS485 serial output
- Input frequency range 0.1 Hz .. 1 MHz
- Compact housing for DIN rail mounting
- For connection of incremental TTL, HTL and RS422 incremental encoder
- Configuration of measuring range via push button or serial interface



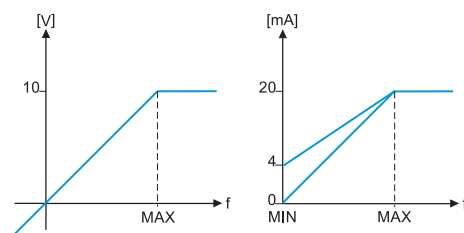
### Electrical specification

<b>Power supply</b>	<b>18–30 Vdc</b>
Current consumption	85 mA @ 18 Vdc
<b>Input signal type</b>	<b>Incremental encoder signals</b>
Electrical interfaces	HTL, TTL or RS422
Frequency range	0.1 Hz .. 1.0 MHz
Input levels	TTL: $U_{high}$ 3 .. 2.5 Vdc, $U_{low}$ 0 .. 0.5 Vdc HTL: $U_{high}$ 10 .. 30 Vdc, $U_{low}$ 0 .. 3 Vdc
Encoder power supply	18–30 Vdc, Aux. 5 Vdc
<b>Output signal type, electrical interfaces</b>	Analogue: $\pm 10$ V (ext. load > 5 k $\Omega$ ), 0 .. 20 mA (load < 270 $\Omega$ ), 4 .. 20 mA (load < 270 $\Omega$ ) Serial: RS232 or RS485
Resolution of analogue outputs	14 bits (1.25 mV / 2.5 $\mu$ A)

### Encoder specification

<b>Encoder type</b>	<b>Incremental</b>
Electrical interface	HTL, TTL and RS422
Number of channels	2, 90°el phase shifted

### Principal operation

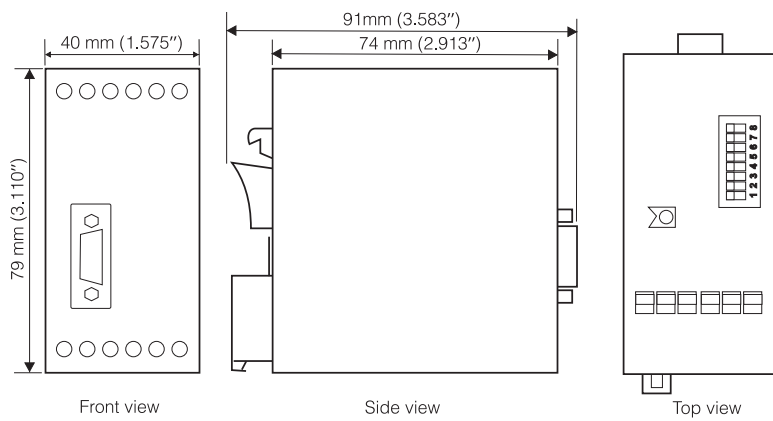


Tachometer functionality using a digital encoder.

# Signal converter FU252

# 00208071

## Dimensions



## Ordering information

Available model	Signal converter FU252
Part number	00208071