

861900220



Heavy Duty incremental encoder

- ▶ Replaces 860900220
- ▶ Extremely robust housing for harsh environments
- ▶ 6 short-circuit protected outputs
1, 1̄, 2, 2̄, 0, 0̄
- ▶ IP 65, encapsulation class
- ▶ Electrically insulated hollow-shaft
- ▶ 9...30 Vdc



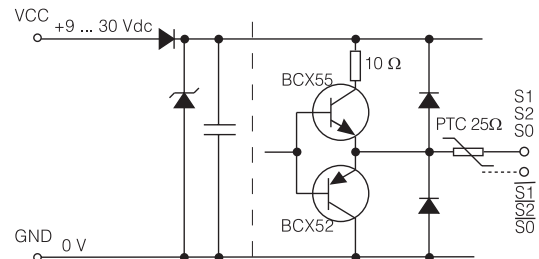
ELECTRICAL SPECIFICATION

Supply voltage +EV	9-30V
	Polarity protected
Current consumption at no load	60mA @ 24V Max 80mA
Line counts	500, 1000, 1024, 2048, 2500, 3072, 4096, 5000ppr
Measuring steps	4 x Line counts
Accuracy	
Dividing error	± 50° el
Channel separation	90° ± 25° el
Outputs	High current HTL
	Short circuit protected
Load max	± 40mA
Max cable length	350m @ 100kHz
U _{high} (at 40mA load)	> +EV - 4,0V
U _{low} (at 40mA load)	< 2,5V
Frequency range	0...100kHz

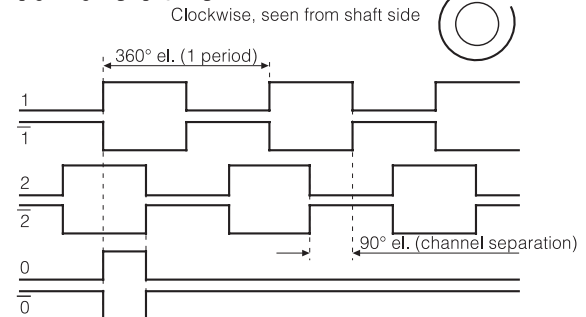
ACCESSORIES

Torque arm	
M6	Part. No. 01208014

OUTPUT CIRCUIT



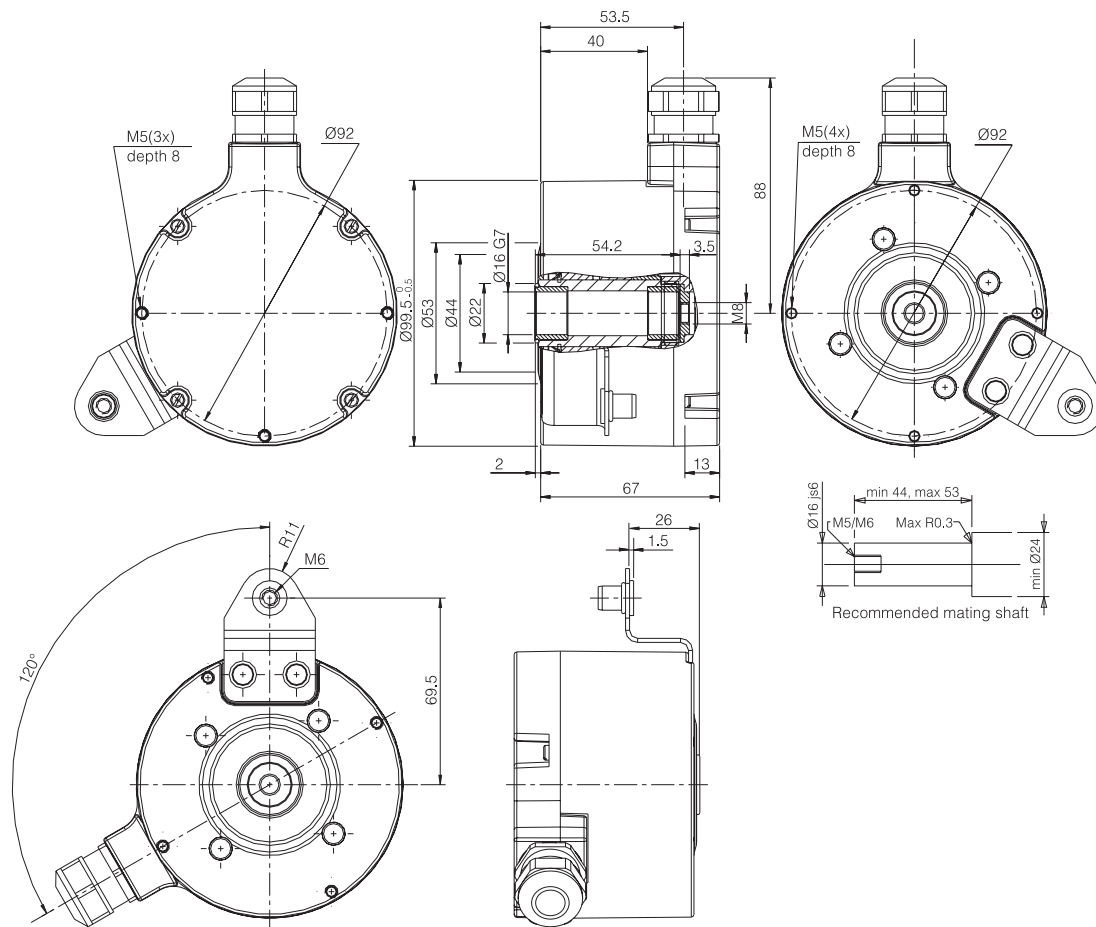
OUTPUT SIGNALS



CONNECTION

Function	Terminal
+ E Volt	1
0 Volt	2
0	3
0̄	4
1	5
1̄	6
2	7
2̄	8

861900220



MECHANICAL SPECIFICATION

Isolated Hollow-shaft	Ø16mm, Stainless steel / PEEK
Moment of inertia	55 x 10 ⁻⁶ kgm ²
Load max	
Radial	300N
Axial	100N
Speed max	4000 rpm
Code disc	Glass disc
Temperature	
Operating	-20°C ... +80°C
Storage	-25°C ... +80°C (+105°C max 1h)
Housing	Aluminum, coated
Weight	Approx. 1300g
Protection class	IP 65 according to IEC 529
Vibration	<100m/s ² (50...2000 Hz)
Shock	<1000m/s ² (11ms)

ORDERING INFORMATION

8 6 1 - 9 0 0 2 2 0 - [] [] []

Line counts

500, 1000, 1024, 2048, 2500, 3072, 4096, 5000 ppr

Replaces model 860900220

LEINE LINDE ISO 9001 / ISO 14001 certified

Olivehällsvägen 8, SE-64542 Strängnäs, Sweden.
Phone: +46 (0)152 26500. Fax: +46 (0)152 26505. E-mail: info@leinelinde.se

07-09-26 PS. Specifications can be changed without prior notice.

www.leinelinde.com