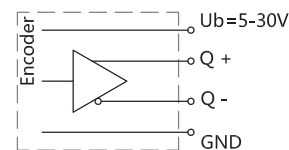
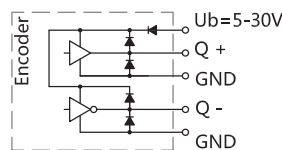
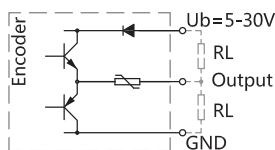


EXDE100H Series
 Sensing method Optical
 Explosion proof mark: Ex d II C T5/T6 Gb Ex tD A21 IP66 T95°C/T80°C
 Housing size Φ 112-122mm
 Shaft diameter Hollow shaft Φ 20mm、 Φ 30mm、 Φ 45mm
 Hollow+screw Φ 16mm、 Φ 20mm
 Cone shaft Φ 17mm(1: 10)
 Max. resolution 3000PPR
 Supply voltage 5-30VDC
 Protection IP66

Mechanical characteristics

Shaft diameter (mm)	Hollow shaft Φ 20mm、 Φ 30mm、 Φ 45mm; Hollow+screw Φ 16mm、 Φ 20mm; Cone shaft Φ 17mm(1: 10)
Protection	DIN EN 60529 IP66
Speed	3000r/min
Maximum shaft load	Max. 200N Axial; max.100N Radial
Shock resistance	\leq 100g 6ms DIN EN 60068-2-27
Vibration resistance	10g 10...2000HZ DIN EN 60068-2-6
Bearing life	10^9 turns
Rotor moment of inertia	$\approx 1.8 \times 10^{-6} \text{kgm}^2$
Starting torque	$< 0.1 \text{Nm}$
Materials	Anodic oxidation of aluminum alloy
Spindle materials	Stainless steel
The shell material	Anodic oxidation of aluminum alloy
Working temperature	-40°C...+85°C
Storage temperature	-40°C...+85°C
Weight	2.3Kg (2m cable)

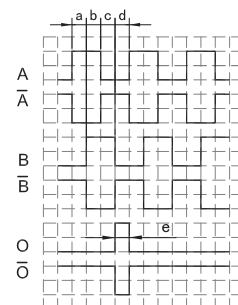
Electrical characteristics



Output circuit	Push-pull output	Push-Pull Differential	RS422 (TTL)
Pulse rate	Max. 3000P/R	Max. 3000P/R	Max. 3000P/R
Supply voltage	5-30V	5-30V	5-30V
Power consumption(no load)	Max. 125 mA	Max.125mA	Max.80 mA
Permissible load/channel	± 80 mA	± 80 mA	± 50 mA
Pulse frequency	100KHz	100KHz	100KHz
Signal level high	Min. $U_b - 2.5V$	Min. $U_b - 2.5V$	Min. 2.5V
Signal level low	Max. 0.8V	Max. 0.8V	Max. 0.4V
Rise time T_r	Max. 1 μ s	Max. 1 μ s	Max. 1 μ s
Fall time T_f	Max. 1 μ s	Max. 1 μ s	Max. 1 μ s
Short circuit proof outputs	Yes	Yes	Yes

Terminal assignment

Signal		OV	+Ub	A	\bar{A}	B	\bar{B}	O	\bar{O}	
Cable Colour		WH	BN	GN	PK	YE	BU	GY	RD	Shield



Shaft turning clockwise, top-view of clamping ring.
a, b, c, d = $T/4 \pm T/8$
e = $T/4 \pm T/8$

Note: Positional relationship of O channel and A&B channels is not specified.

Ordering information

EXDE100H	H	20	E	1024	A	5-30	R	2
	①	②	③	④	⑤	⑥	⑦	⑧

<p>① Shaft type H: Hollow shaft HS: Hollow+screw HZ: Cone shaft</p>	<p>② Shaft diameter H: Hollow shaft 20: 20mm 30: 30mm 45: 45mm</p>	<p>HS: Hollow+screw 16: 16mm 20: 20mm</p>	<p>HZ: Cone shaft 17: 17mm(1:10)</p>	<p>③ Output channel B: A B D: A \bar{A} B \bar{B} E: A \bar{A} B \bar{B} O \bar{O}</p>
--	--	---	--	---

<p>④ Resolution 500, 512, 600, 1000, 1024, 1200, 1500, 2000, 2500, 3000 (Axle 45mm)</p>	<p>⑤ Output type F: Push-Pull A: Push-Pull Differential B: RS422 (TTL Compatible)</p>	<p>⑥ Supply voltage 5-30: DC5...30V</p>	<p>⑦ Exit position R: Radial</p>	<p>⑧ Cable length Cable length 2m</p>
--	--	---	--------------------------------------	---

Note: Printed in bold=standard items

Notes: 1, The resolution list is the number of common pulses, other pulse values should be determined by request.

2, Please chose the ordering information: Extended No., Shaft diameter, Channels, Pulse rate, Output circuit, Supply voltage, Exit position, Connection type and Special code.

Ordering example: EXDE100H20E1024A5-30R2, Special requirements please indicate to the back.

Explanation: EXDE100H Series, Shaft diameter 20mm, Output channels A \bar{A} , B \bar{B} , O \bar{O} , 1024PPR, Push-Pull Differential, 5-30V DC, Radial Output 2m.

Accessories (sold separately) Note: Further stator coupling can be found in the accessories selection table.

Mounting bracket
Model (common) : 8117-A



Crank arm bracket
Model (common) : 8561



Mounting bracket
Model (common) : 8186B

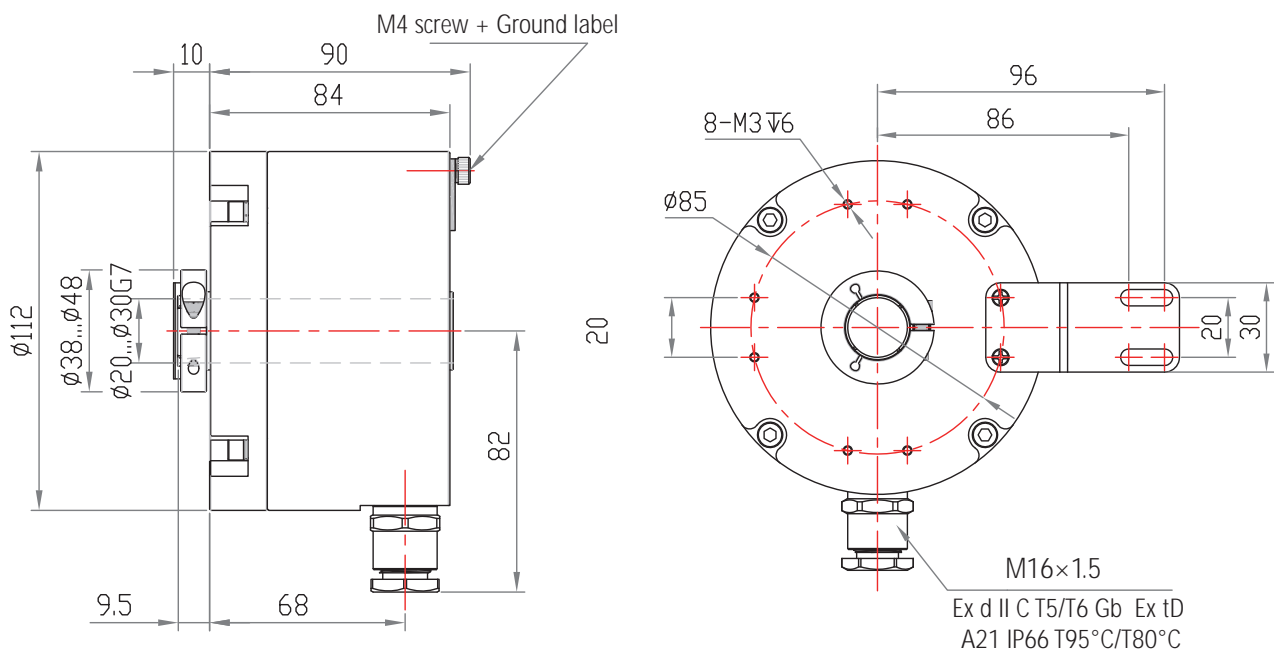


Crank arm bracket
Model (common) : 8564 8/L=X



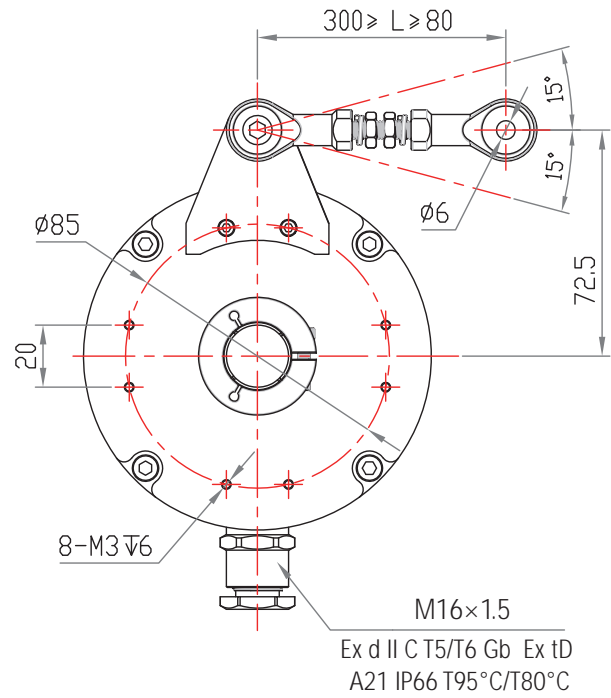
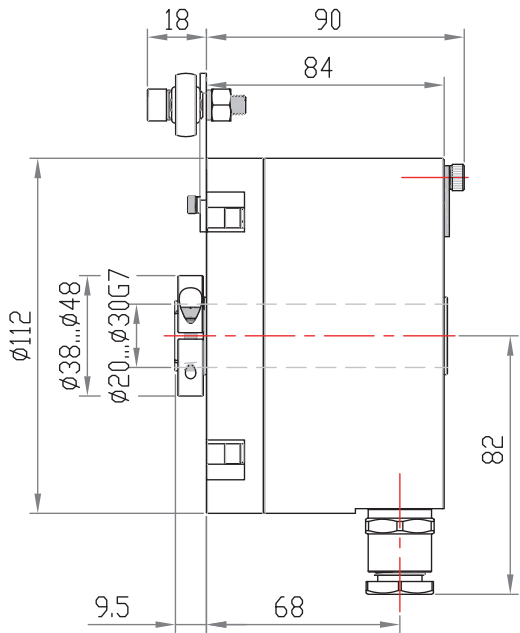
Dimensions

EXDE100H30+8117-A

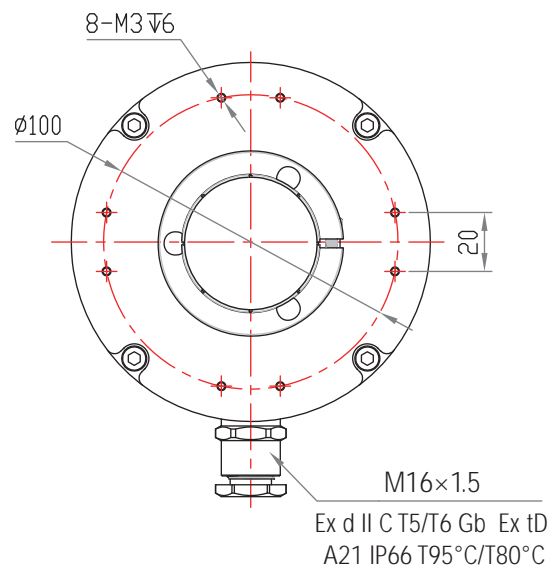
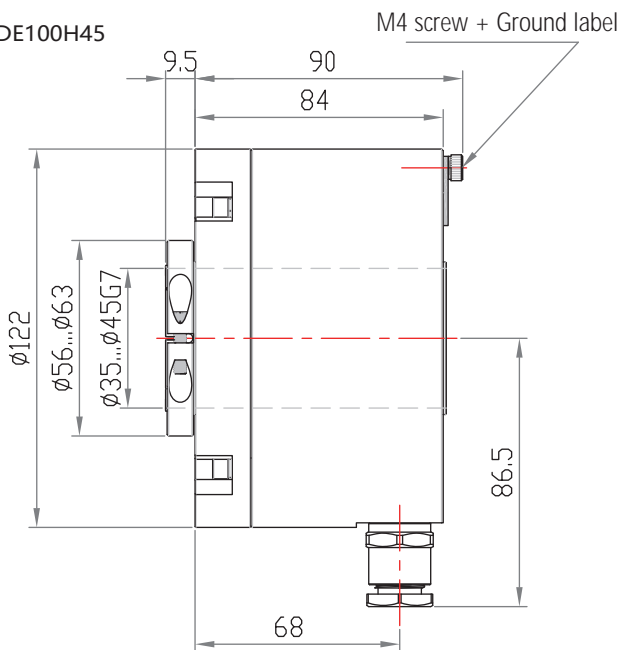


Dimensions

EXDE100H30+8150

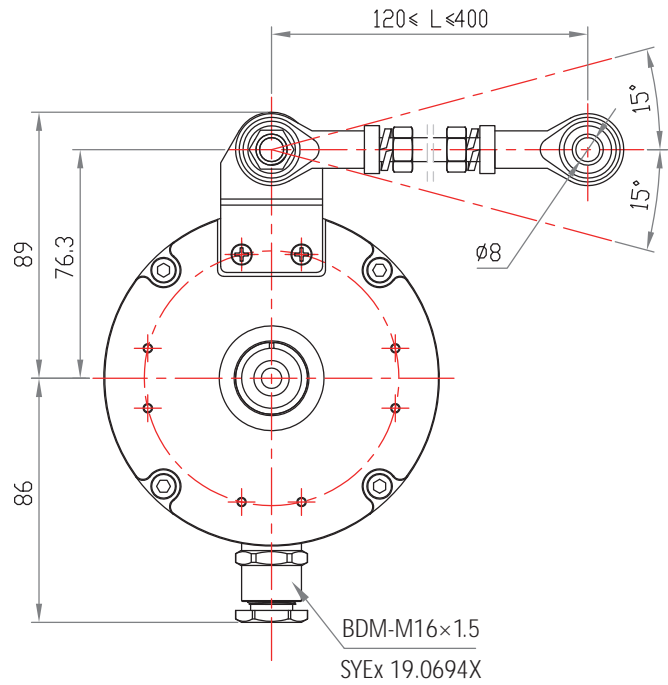
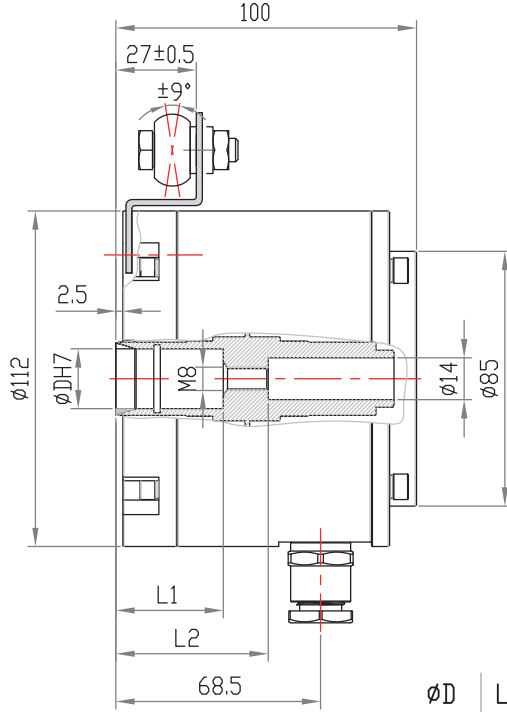


EXDE100H45



Dimensions

EXDE100HS+8186B+8564



ØD	L1	L2
16	53	65
20	35	50

EXDE100HZ+8186B+8564

