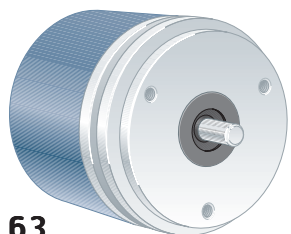
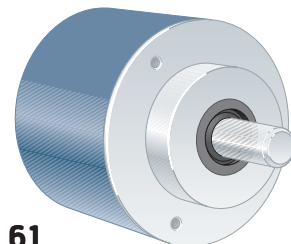


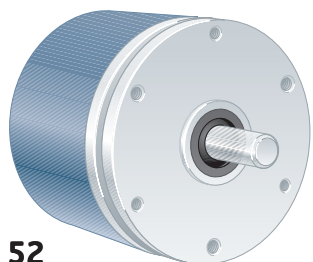
51



63



61



52

Short description:

- >> 13 bit SSI output
- >> Binary or Gray coded
- >> 5 Vdc or 9...36 Vdc
- >> IP 67 at housing, IP 66 at shaft inlet
- >> Robust housing for harsh environment
- >> Shock and vibration protected

Suitable applications:

- >> Standard to demanding industrial applications
- >> Positioning applications
- >> Printing machines
- >> Packaging machines

General information

Encoder data	
Type	RSA 507
Operating temperature	-40°C .. +80°C
Storage temperature	-30°C .. +80°C
Ingress protection class	IP-67 according to IEC 60529
At shaft inlet	IP-66 according to IEC 60529
Vibration (55 to 2000Hz)	< 300 m/s ² according to IEC 60068-2-6 ⁽¹⁾
Shock (6ms)	< 2000 m/s ² according to IEC 60068-2-27
Cover material	Aluminium
Cover surface treatment	Coated and cromated or anodized
Weight	Approx. 300g
Accuracy and resolution	
Resolution	13 Bit, 8192 positions per revolution
Accuracy	± 1 LSB

⁽¹⁾ 150 m/s² for variants with connector

Flange option

Flange type	51, LL58	63, Synchro	61, Clamping	52, LL68
Outer diameter	ø58 mm	ø58 mm	ø58 mm	ø68 mm
Mounting holes	3 x M3 & 3 x M4	3 x M4	3 x M3	3 x M3 & 3 x M4
Flange material	Aluminium	Aluminium	Aluminium	Aluminium
Surface treatment	Anodized	Anodized	Anodized	Anodized

Shaft option

Shaft type	Ø 6 round	Ø 6 with face	Ø 10 round	Ø 10 with face
Axial shaft load	50 N	50 N	50 N	50 N
Radial shaft load	60 N	60 N	60 N	60 N
Mech. permissible speed	6000 rpm (12 000)	6000 rpm (12 000)	6000 rpm (12 000)	6000 rpm (12 000)
Shaft material	Stainless steel	Stainless steel	Stainless steel	Stainless steel
Moment of inertia	1,9 x 10 ⁻⁶ kgm ²	1,9 x 10 ⁻⁶ kgm ²	2,0 x 10 ⁻⁶ kgm ²	2,0 x 10 ⁻⁶ kgm ²

507 — Ruggedized Shaft encoder, Absolute SSI



Connection option

Connector type	Cable	8pM12	17 pin EML	8 pin PT
Function	Colour	PIN	PIN	PIN
Clock +	Yellow	3	8	A
Clock -	Green	4	9	B
Data +	White	5	14	C
Data -	Black	6	17	D
Code Sequence	Violet	8	2	H
0V	Blue	1	10	F
+EV	Red	2	7	E
Housing	Shield	Chassis	Chassis	Chassis
Connecting direction (available on flange option -51, -63, -61)				
Axial	Yes	Yes	Yes	Yes
Radial	Yes	Yes	Yes	Yes
Connecting direction (available on flange option -52)				
Axial	No	No	No	Yes
Radial	Yes	No	No	No

Electrical option

Power supply	5Vdc	9-36Vdc
Polarity protected	No	Yes
Output interface	SSI	
Short circuit protected	Yes	
Current consumption	100mA	50mA @ 24Vdc
Max current consumpt.	150mA	110mA
Output circuitry	RS-422	
Output frequency (max)	100kHz...1MHz	
Cable length (max)	Frequency dependent	
Code type	Binary or Gray	
Position update freq.	16MHz	
Start up delay	25ms	
Input		
Code sequence	If not connected or connected to 0V the position will increase when the shaft is turned clockwise. If connected to a high logic level the position will increase while turned counter clockwise.	
U _{high}	> 2V	> EV x 0.6
U _{low}	< 0.7V	< EV x 0.25
Delay	75µs	

Accessories

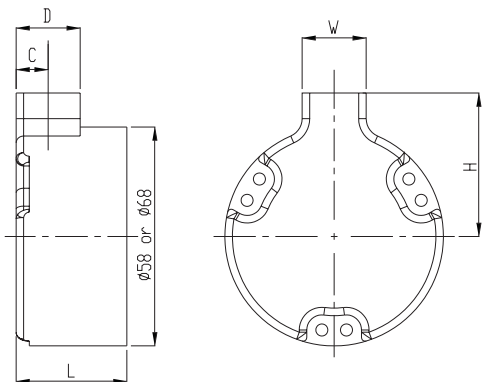
Accessories	Part number
Mating connector 8 pin M12	00201081 ⁽¹⁾
8 pin PT	00201009 ⁽¹⁾
17 pin EML	01209085 ⁽¹⁾
Coupling 6-6 mm	464192222 ⁽²⁾
10-10 mm	464333232 ⁽²⁾
Mounting bracket	00208011 ⁽³⁾
Bearing box	01209010 ⁽⁴⁾

- (1) Also available with assembled cable.
 (2) Other couplings are also available.
 (3) Only for 63 Synchro and 61 Clamping flanges.
 (4) Only for 63 Synchro flange.

For additional accessories like assembled cables, mounting clamps, measuring wheels, draw wire box etc. Please advise separate datasheets for accessories.



Dimensions

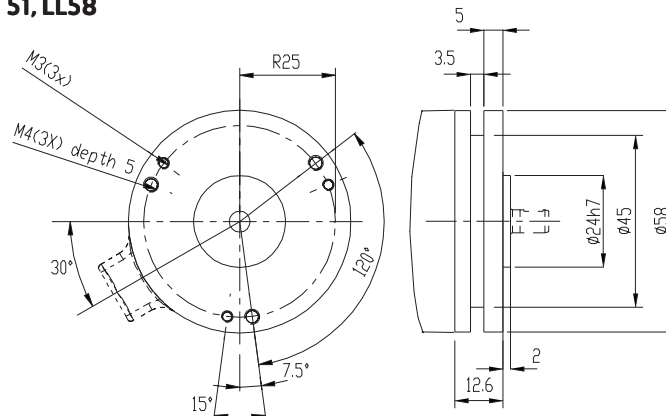


Connector	Orientation	L	H	W	D	C
Cable	Radial Ø58	29,4	34	17	17	8,5
	Radial Ø68	44,7	34	0	0	14
	Axial	38,9				
EML	Radial	29,4	32	27	27	13,5
	Axial	38,9				
8p M12	Radial	29,4	38	27	27	9,5
	Axial	38,9				
8p PT	Radial	29,4	41	27	27	13,5
	Axial Ø58	38,9				
	Axial Ø68	44,7				

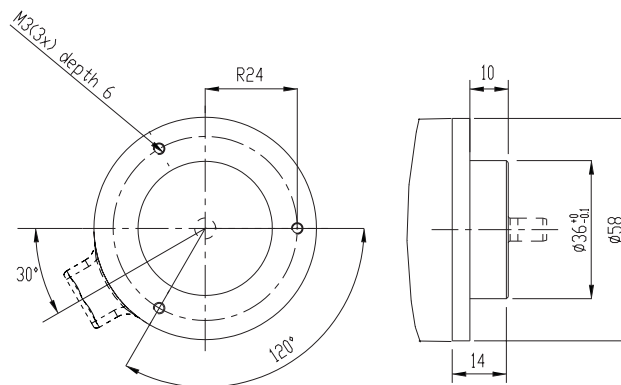
Note: For complete encoder dimension please add connector and flange dimensions.

Flanges

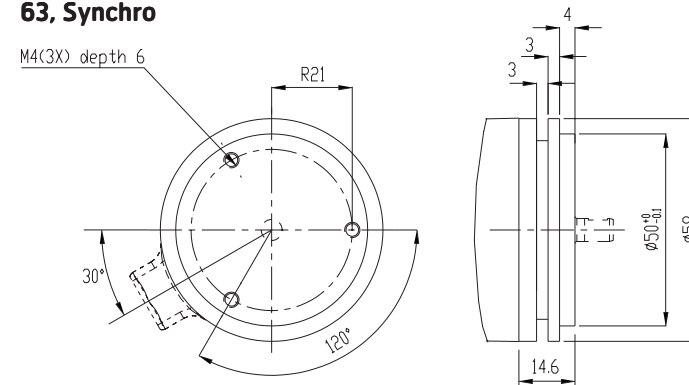
51, LL58



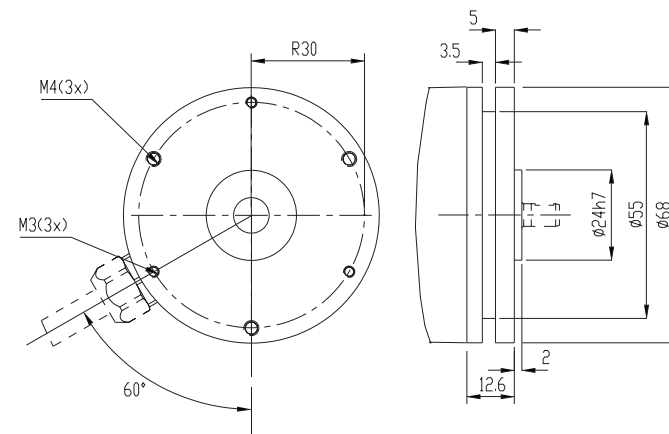
61, Clamping



63, Synchro



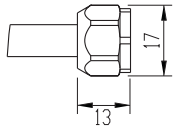
52, LL68



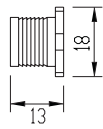


Connectors

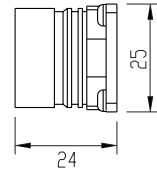
Cable 16x0,25 shielded



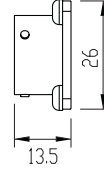
8pin M12



17pin EML

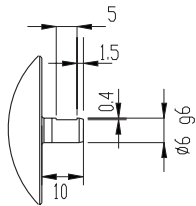


8pin PT

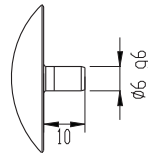


Shafts

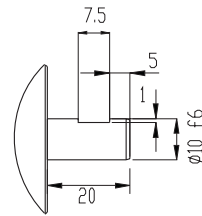
6 mm with face



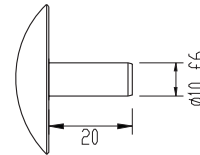
6 mm round



10 mm with face



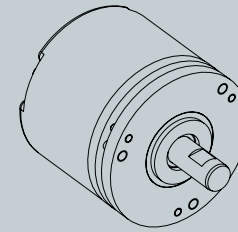
10 mm round



Various combinations/examples

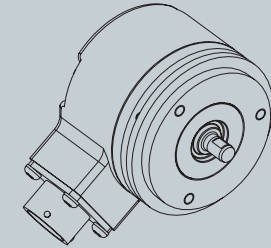
RSA 507 51

10 mm with face, axial M12



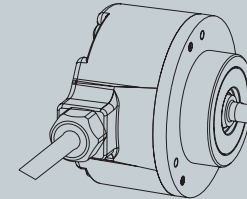
RSA 507 63

6 mm with face, radial PT



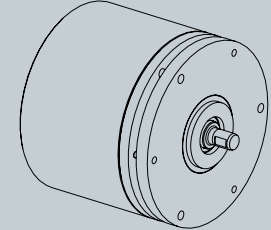
RSA 507 61

6 mm round, radial cable



RSA 507 52

6 mm with face, axial M12



Ordering information Tick your choice

Type	RSA 507				
Flange	51, LL58	63, Synchro	61, Clamping	52, LL68	
Shaft	Ø6mm round	Ø6mm with face	Ø10mm round	Ø10mm with face	
Electronics	Supply	5Vdc	9-36Vdc		
	Output	SSG, Gray	SSB, Binary		
Connection	Cable ⁽¹⁾	12 pin M12	17 pin EML	8 pin PT	
Connecting direction	Axial/Radial	Radial/Axial	Radial/Axial	Radial/Axial	
Resolution	13 bit				

⁽¹⁾ Note: Please specify cable length when ordering

Ordering example: RSA 507 63 Ø10ro 9-36Vdc SSG Cable Radial 13bit
Assembly drawing is available upon request from Leine & Linde AB