

CANopen Gateway

CAN Gateway for EnDat encoders

- ▶ **CAN interface: CANopen**
- ▶ **Same gateway can be used with all EnDat encoders**
- ▶ **Integrated T-coupling and bus termination**



ELECTRICAL SPECIFICATION

| | |
|--|---|
| Supply voltage +EV | 9-30V |
| | Polarity protected |
| Current consumption incl. multium encoder. | 100mA @ 24V Max 170mA |
| Startup delay | 600 ms |
| Encoder connection | EnDat |
| Power supply | 5 Vdc ±5% |
| Clock frequency | 500 kHz |
| Cable length | Max 40m |
| Output | CANopen Support of CAN spec. 2.0 A and B |
| Baudrate | 10 kb/s - 1 Mb/s |
| Baudrate setting | |
| Address setting | DIP switch or CANopen object |
| Cable length | 100m @ 500kb/s |
| Output | DeviceNet, Position Sensor Object Class code 23h |
| Baudrate | 125kb/s, 250kb/s, 500kb/s |
| Baudrate setting | Automatic detection |
| Address setting | MAC id via DIP switch |
| Cable length | 500m @ 125kb/s |
| Update frequency | > 2kHz |
| Delay | < 0,5ms |

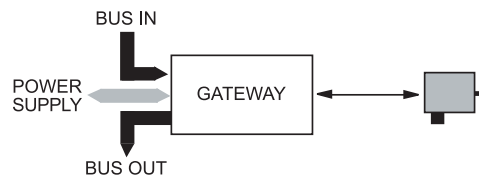
ACCESSORIES

| | |
|--------------------|----------------------------------|
| CANopen EDS file | Part. No. 01290014 |
| DeviceNet EDS file | Part. No. 01290027 |
| Cable to encoder | |
| 2m | Part. No. 00201045 |
| 3m | Part. No. 00201057 |
| 20m | Part. No. 00201056 |
| Free length | Part. No. 01209050 |
| Encoders | See datasheet for EnDat encoders |

ADVANTAGES OF THE GATEWAY CONCEPT

1. The Gateway allows the use of a small and robust encoder.
2. Costeffective exchange of encoder (no need to change the Gateway).
3. Reduction of Bus-cabling (only one cable between Gateway and encoder).
4. Flexible choice of encoders as the same Gateway can be used with different encoders.
5. Advanced diagnostics integrated in the basic encoders, together with the sensing parts.
6. Allows operation of encoder in high temperature and hard environmental conditions.

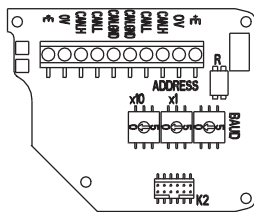
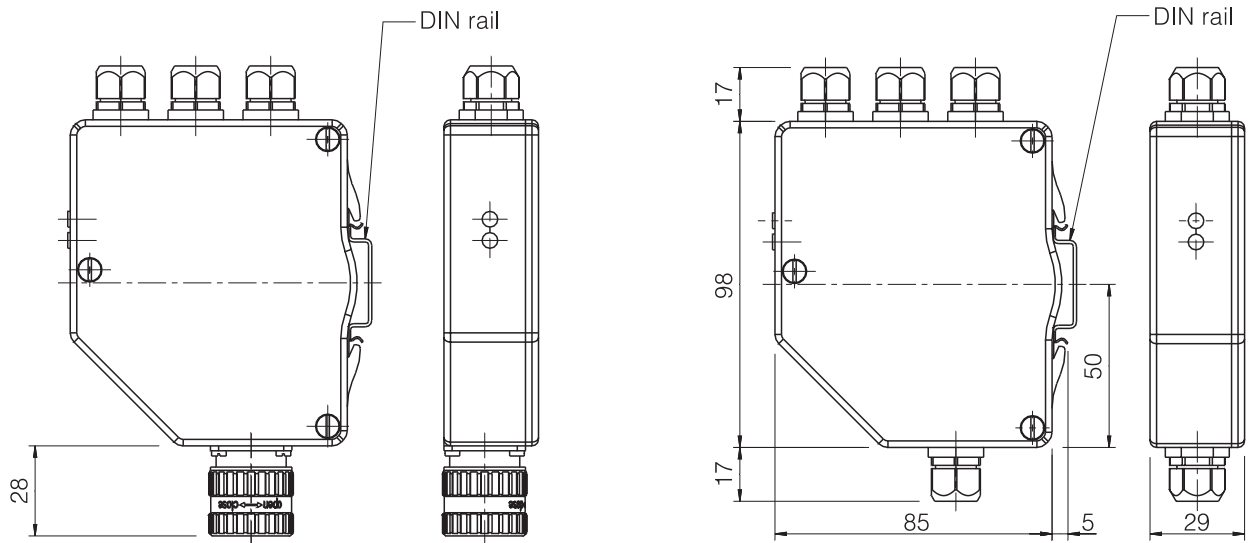
CAN GATEWAY



CONNECTION

| EnDat Function | 17 pin EML | CAN Function | Terminal |
|-----------------|------------|--------------|----------|
| Sensor + 5 Volt | 1 | +E Volt | 1 |
| Sensor 0 Volt | 4 | 0 Volt | 2 |
| + 5 Volt | 7 | CAN_H | 3 |
| 0 Volt | 10 | CAN_L | 4 |
| Clock | 8 | CAN_GND | 5 |
| Clock | 9 | CAN_GND | 6 |
| Data | 14 | CAN_L | 7 |
| Data | 17 | CAN_H | 8 |
| | | 0 Volt | 9 |
| | | +E Volt | 10 |

Gateway CANopen



MECHANICAL SPECIFICATION

| | |
|------------------|---------------------------------------|
| Housing | Aluminium |
| Weight | Approx. 400g |
| Protection class | IP 65 according to IEC 529 |
| Temperature | |
| Operating | -30°C ... +85°C |
| Storage | -40°C ... +85°C |
| LED indication | Power and Bus |
| Connection | Screw terminal, integrated T coupling |

ORDERING INFORMATION

Available models

01300230
CANopen Gateway with connector

01300235
CANopen Gateway with 2m cable and connector

01300240
DeviceNet Gateway with connector

01300245
DeviceNet Gateway with 2m cable and connector

LEINE LINDE ISO 9001 / ISO 14001 certified

Olivehällsvägen 8, SE-64542 Strängnäs, Sweden.
Phone: +46 (0)152 26500. Fax: +46 (0)152 26505. E-mail: info@leinelinde.se

06-11-09 PS. Specifications can be changed without prior notice.

www.leinelinde.com