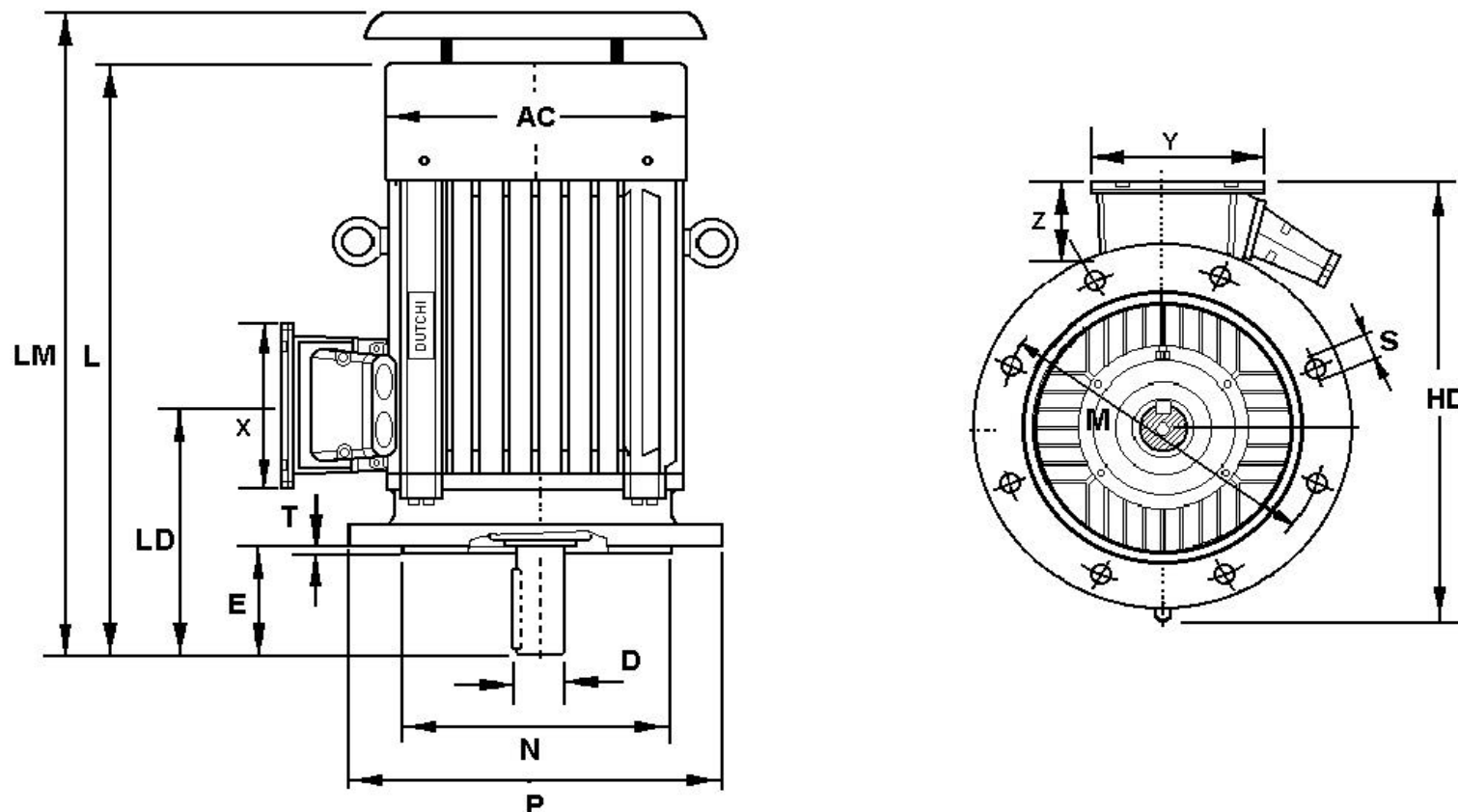


DM1 355 - 400 : V1



afmetingen in mm		Abmessungen in mm											dimensions in mm						
TYPE & POLES		AC	D	E	H	HD	L	LD	LM	M	N	P	S	T	Eyebolt	IPE	X	Y	Z
DM1 355 M	2	710	80m6	170	355	1145	1525	327	1663	740	680	800	8*24	6	M36	max. 2xØ 70 mm	360	487	200
DM1 355 M(X,Y)	4 / 6 / 8		100m6	210			1565		1700										
DM1 355 L(X,Y)	2		80m6	170			1525		1663										
DM1 355 L(X,Y)	4 / 6 / 8		100m6	210			1565		1700										
DM1 400 M(X)	4 / 6 / 8	810	110m6	210	400	1244	1881	362	1981	940	880	1000	8*28	6	2 * M36	max. 2xØ 100mm	430	485	225
DM1 400 L(X,Y)	4 / 6 / 8															+ 7 x M63 x 1,5			

Eye bold for series DM1 355 - 400 only for mounting IM V1 positioned to NDE side for automatic turning to vertical position by lifting.

We make all efforts to better our products. Versions, technical data and figures could be changed therefore. They are always not binding before written confirmation.

1710001301