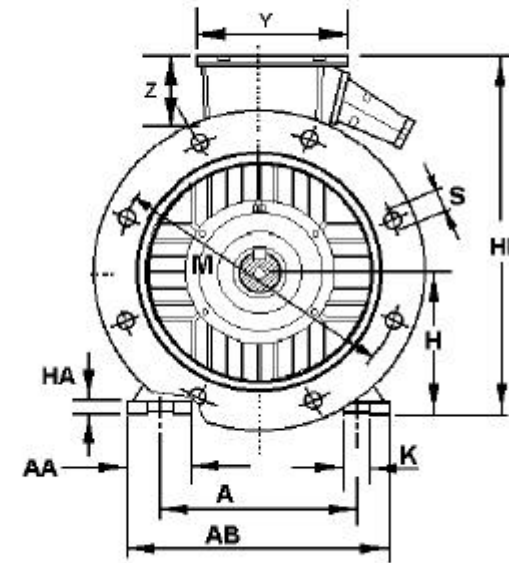


DM1-355 till DM1-400



DM1-355 till DM1-400

		afmetingen in mm				Abmessungen in mm				dimensions in mm				dimension en mm																																			
TYPE & POLES		A	AA	AB	AC	B ¹	B ²	BB	C	D	E	H	HA	HD	K	L	LD	M	N	P	S	T	Eyebolt	IPE	X	Y	Z																						
DM1	355 M	610	116	726	710	500	560	750	254	80m6	170	355	52	1010	∅ 28	1525	327	740	680	800	8*24	6	M36	max. 2x∅ 70 mm	360	487	200																						
DM1	355 M(X,Y)					4 / 6 / 8																																											
DM1	355 L(X,Y)					2										560												630			80m6	170					1525												
DM1	355 L(X,Y)					4 / 6 / 8																									100m6	210					1565												
DM1	400 M(X)	686	120	806	810	630	710	1090	280	110m6	210	400	45	1075	∅ 35	1881	362	940	880	1000	8*28	6	2 * M36	max. 2x∅ 100mm + 7 x M63 x 1,5	430	485	225																						
DM1	400 L(X,Y)					4 / 6 / 8																																											