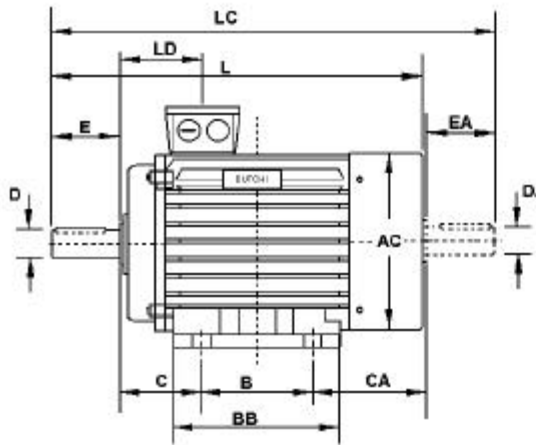
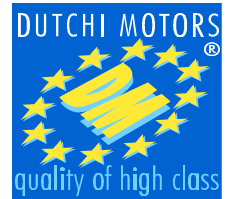
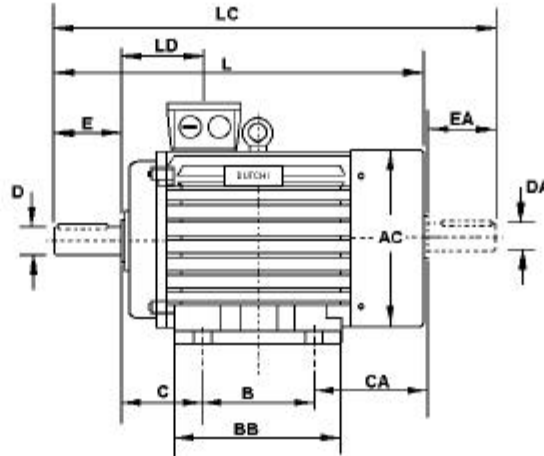


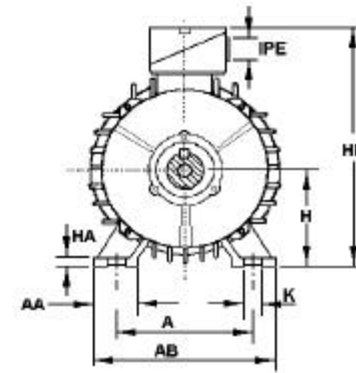
DM1 : B3



DM1-80 tili DM1-90



DM1-100 tili DM1-315



DM1-80 tili DM1-315

Schaftdimensionen
see next page.

afmetingen in mm		Abmessungen in mm								dimensions in mm				dimensions en mm																		
Type	Poles	A	AA	AB	AC	B	BB	C	CA	D	DA	E	EA	H	HA	HD	K	L	LC	LD												
DM1 80 K / G	2 / 4 / 6 / 8	125	34	160	157	100	130	50	108	19j6	19j6	40	40	80	12	222	10	278	322	72												
DM1 90 S		140		180	174	125	140	56	112	24j6	24j6	50	50	90		241		315	368	75												
DM1 90 L					165																		340	393								
DM1 100 L / LX					200		195	140	176	63	125	28j6	28j6	60				60	100	14	266	12	375	438	83							
DM1 112 M			230	220		180	70	133					112	17	300		399	463	92													
DM1 132 S / SX			262	256		191	89	164	38k6	38k6	80	80	132	18	345		465	548	96													
DM1 132 M		254	65	314	314	178	229		166								15	503	586													
DM1 160 M / MX						210	260	108	190	42k6	42k6	110	110	160	20	412						600	713	145								
DM1 160 L						254	300		201														640	753								
DM1 180 M		279	70	350	358	241	310	121	231	48k6	48k6			180	22	453	19	688	801	160												
DM1 180 L						279	350		233														728	841								
DM1 200 L / LX						318	390	397	305	369	133	225	55m6	48k6	55m6				200	25	505		760	873	185							
DM1 200 L / LX	4 / 6 / 8	356	75	431	446	286	368	149	243	60m6		140		225	28	549	24	807	920													
DM1 225 S	4 / 8					311	393		253	55m6	48k6	110										802	915									
DM1 225 M	2					248	60m6	55m6	140													832	945									
DM1 250 M	2	406	80	484	485	349	445	168	256					250	30	617	28	910	1023	206												
DM1 250 M	4 / 6 / 8								65m6																							
DM1 280 S	2	457	85	542	547	368	490	190	300					280	35	674			974	1090	215											
DM1 280 S	4 / 6 / 8	508	120	628	620	406	570	216	401	75m6	60m6		140	315	49	870	28	982	1127													
DM1 280 M	2									419	540		299					65m6	55m6		110								1035	1150		
DM1 280 M	4 / 6 / 8																	75m6	60m6		140									1035	1180	
DM1 315 S	2	508	120	628	620	406	570	216	401	65m6	65m6			315	49	870	28	1190	1335	255												
DM1 315 S	4 / 6 / 8									481	80m6	80m6	170					170											1220	1395		
DM1 315 M	2									457 / 508**	680		380					65m6	65m6	140	140								1300	1445		
DM1 315 M	4 / 6 / 8												460					80m6	80m6	170	170									1330	1505	
DM1 315 L / LX	2												329					65m6	65m6	140	140									1300	1445	
DM1 315 L / LX	4 / 6 / 8												409					80m6	80m6	170	170									1330	1505	

* IPE = can be delivered in PG or in Metric.

** DM1 315 M and L/LX double footholes on Non-driving end.

We make all efforts to better our products. Versions, technical data and figures could be changed therefore. They are always not binding before written confirmation.