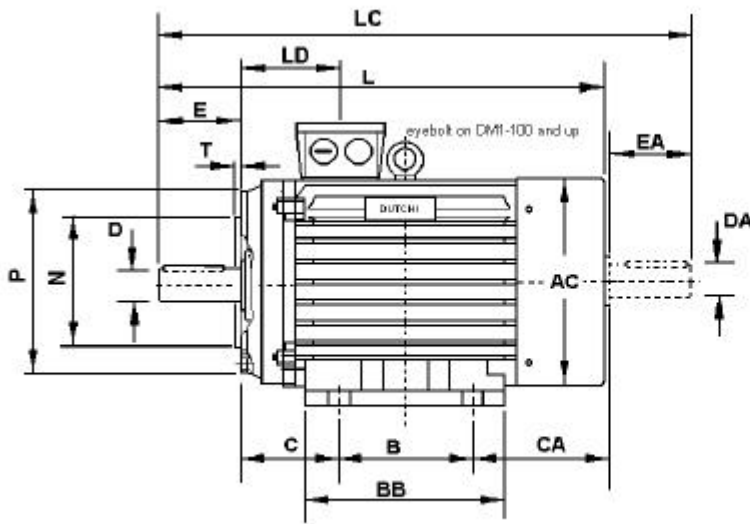
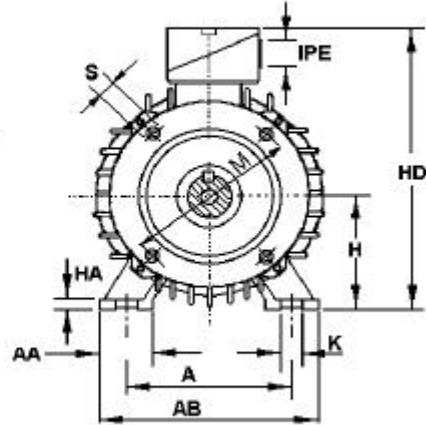


DM1 : B34



DM1-80 till DM1-132



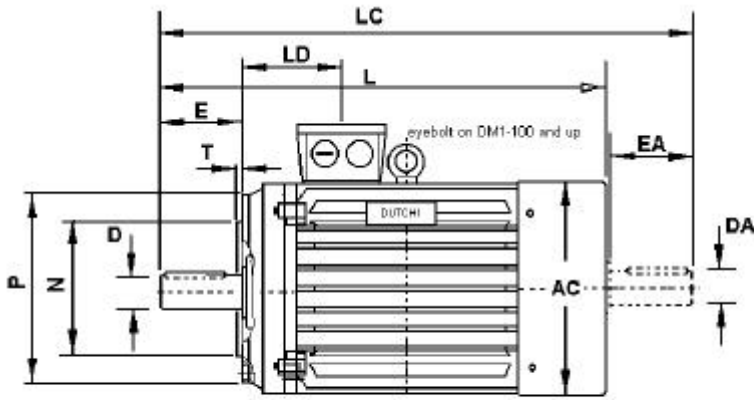
DM1-80 till DM1-132

Flange measurements see DM1 : B14

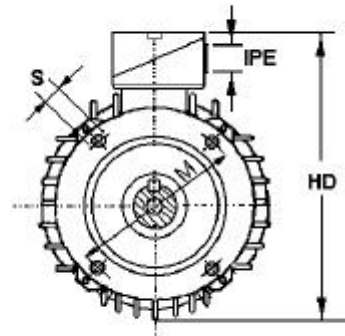
Type	Poles	afmetingen in mm				Abmessungen im mm				dimensions in mm				dimension en mm				EYE BOLT			
		A	AA	AB	AC	B	BB	C	CA	D	DA	E	EA	H	HA	HD	K		L	LC	LD
DM1 80 K / G	2 / 4 / 6 / 8	125	34	160	157	100	130	50	108	19j6	19j6	40	40	80	12	222	10	278	322	72	NO
DM1 90 S		140		180	174		140	56	112	24j6	24j6	50	50	90		241		315	368	75	
DM1 90 L							125	165											340	393	
DM1 100 L / LX		160	40	200	195	140	176	63	125	28j6	28j6	60	60	100	14	266	12	375	438	83	M8
DM1 112 M		190	45	230	220		180	70	133					112	17	300		399	463	92	
DM1 132 S / SX		216	55	262	256		191	89	164	38k6	38k6	80	80	132	18	345		465	548	96	M10
DM1 132 M						178	229		166									503	586		

We make all efforts to better our products. Versions, technical data and figures could be changed therefore. They are always not binding before written confirmation.

DM1 : B14



DM1-80 till DM1-132



DM1-80 till DM1-132

Type	Poles	afmetingen in mm				Abmessungen im mm				dimensions in mm				dimension en mm				EYE BOLT			
		AC	D	DA	E	EA	HD	L	LC	LD	SMALL FLANGE (B14A)				LARGE FLANGE (B14B)						
DM1 80 K / G	2 / 4 / 6 / 8	157	19j6	19j6	40	40	222	278	322	72	120	80j6	100	3	M6	160	110j6	130	3,5	M8	NO
DM1 90 S		174	24j6	24j6	50	50	241	315	368	75	140	95j6	115		M8						
DM1 90 L								340	393												
DM1 100 L / LX		195	28j6	28j6	60	60	266	375	438	83	160	110j6	130	3,5		200	130j6	165		M10	M8
DM1 112 M		220					300	399	463	92											
DM1 132 S / SX		256	38k6	38k6	80	80	345	465	548	96	200	130j6	165		M10	250	180j6	215	4	M12	M10
DM1 132 M							503	586													

We make all efforts to better our products. Versions, technical data and figures could be changed therefore. They are always not binding before written confirmation.